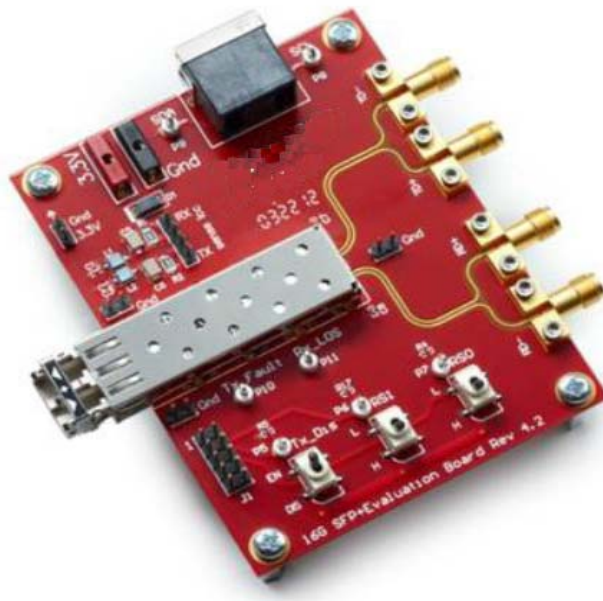


EV-SFP-171 10 Gb/s SFP/SFP+ Evaluation Board

Technical Specification V1.00

Nov., 2015



 UC INSTRUMENTS CORP.

www.ucinstruments.com

EV-SFP-171 10 Gb/s SFP/SFP+ Evaluation Board

The purpose of this SFP+ evaluation board is to provide the designer with a convenient means for evaluating SFP+ fiber optic transceiver such as 10 Gb/s(up to 16 Gb/s) SFP/SFP+ transceiver compliant with ANSI Fibre Channel FC-PI-5 for high speed electrical and optical specifications. This board provides SMA connectors for high speed TX and RX signals. The low speed control signals such as Tx_Fault, Rx_LOS and Rate_Selects can be controlled by using on board switches and test points. A connector for 2 wire serial interface to the module is also provided.

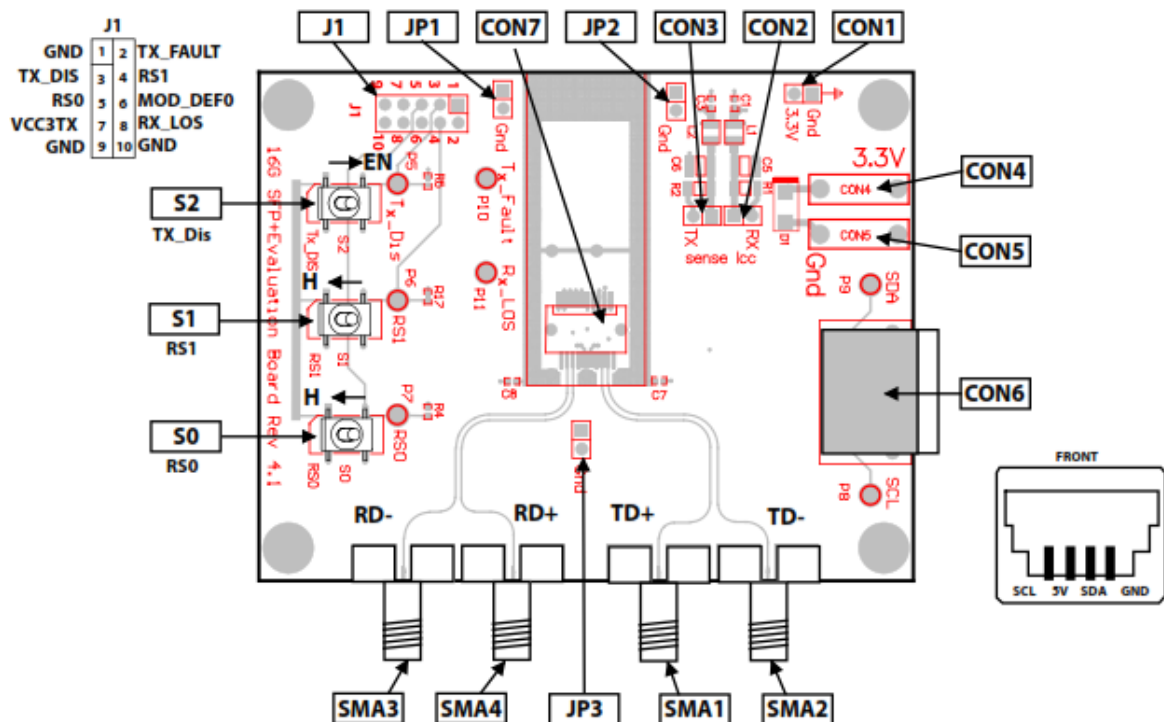
Equipment included in the evaluation board kit EV-SFP-171

1. SFP+ Evaluation PCB
2. DC Power supply cable assembly
3. SFP viewer setup CD-ROM. Please refer to the document included in the CD-ROM for the use of SFP viewer GUI

Equipment not included in this kit

1. 3.3 V DC power supply
2. Fiber optic cables
3. DCA-J 86100C
4. DCA-J plug in 86105C, 86112A
5. J-BERT N4903B
6. Fiber optic attenuator
7. EEPROM Reader (i-Port or similar), RJ-45 cable
8. PC

EV-SFP 10 Gb/s Evaluation Board Diagram



10 Gb/s SFP/SFP+ Evaluation board circuit diagram

Contact Information

United States:

UC INSTRUMENTS CORP.

3652 Edison Way

Fremont, CA 94538

USA

Tel: 1-510-366-7353

Fax: 1-510-795-1795

www.ucinstruments.com

Product specifications and descriptions in this documentation subject to change without notice.

Copyright © 2008 UC INSTRUMENTS CORP.

Nov., 2015

72000020 V1.00